

PRODUCTS

- Hammer Mills
- Single Roll Crusher
- Double Roll Crusher
- Smooth Roll Crusher
- Hybrids



CPC MACHINE AT MINE SITE

Contact CPC Crushing Processing for:

- New machines
- Replacement of existing machines
- Maintenance
- Spares for Hammer Mills & Roll Crushers
- Spares for CPC machines

WHO IS CPC?

- In 2014, the manufacturing unit of erstwhile Aubema GmbH in Germany closed down and the production shifted to China.
- Being faced continuously to customers' demands, Bruno Goetz decided to incorporate his own Company, CPC Crushing Processing GmbH, focusing on crushers for coals and minerals as well as machines for other industries.
- Since incorporation, there is a continuous process increase of sales and CPC has sales and distribution partners in several countries.
- CPC machines are successfully commissioned and running at various sites worldwide.

DIN 9001 certified

CPC Crushing Processing GmbH

Finkenstraße 17 Phone: +49 (0)221 / 168 417 76
74229 Oedheim info@cpcgmbh.com
Germany www.cpcgmbh.com



Crushing Processing GmbH



Crushing Processing GmbH

ROLL CRUSHER SR 11



Ahead in Technology - your benefit!

Ahead in Technology - your benefit!

YOUR BENEFIT:

High Chrome Crushing Tools with shaped surface

- Extreme long Live Time
- Excellent Intake Behaviour

Adjustable Gap by Hydraulic

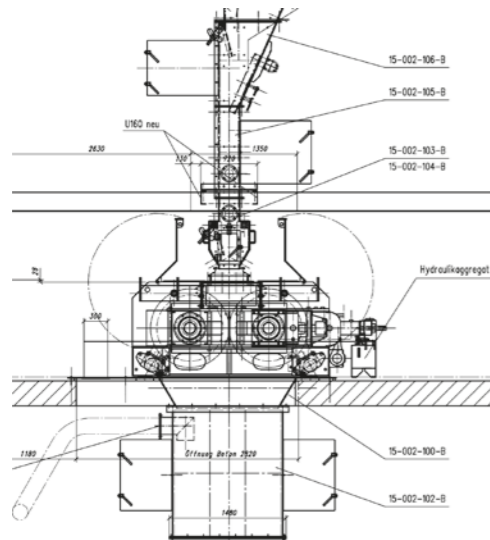
- Overload Protection
- Various Final Products with lowest fine Content
- Wheel Set optional

Monitoring by Local Operator Panel

- Bearing Temperature
- Speed
- Lubrication

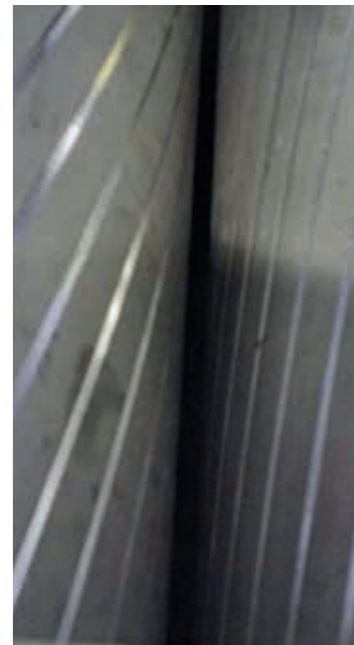
Service and Support

- Implementation into your Process
- Plant layout and design
- Installation and commissioning worldwide



DOUBLE ROLL CRUSHER TYPES

Double Roll Crusher	Throughput t/h			KW
	P ₉₀ % = 50 mm	P ₉₀ % = 10 mm	P ₉₀ % = 1 mm	
06-08	170	65	10	2x 11 - 15
06-10	210	80	12	2x 15 - 21
06-12	255	100	15	2x 18 - 30
08-10	210	80	12	2x 18 - 27
08-12	255	100	15	2x 21 - 37
08-16	340	130	20	2x 30 - 45
08-24	510	195	30	2x 45 - 75



Ahead in Technology - your benefit! ...

... made in Germany.